

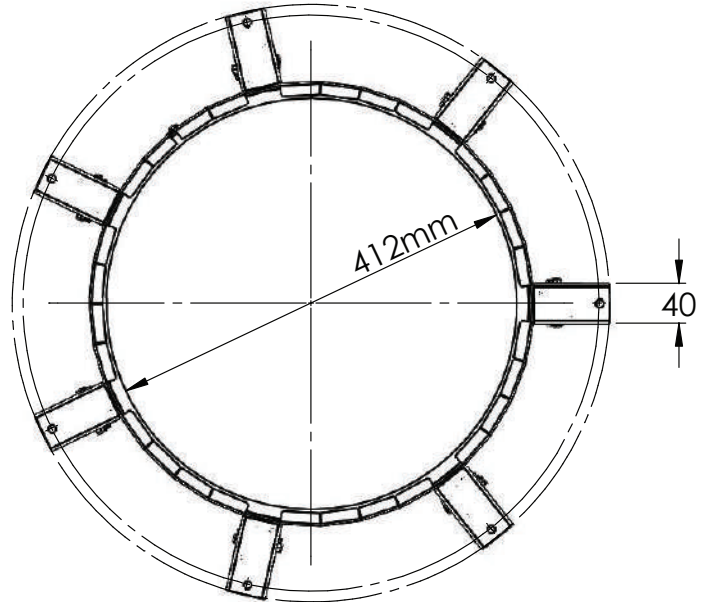
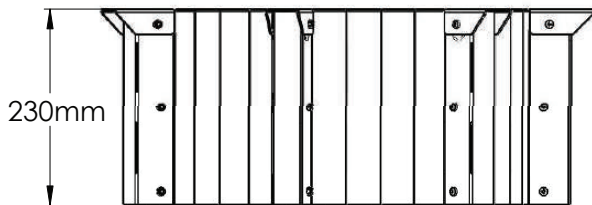
400 HIGH PROFILE RETRO RETRO FIT FIRE COLLAR



Scan this QR Code
for more information
on quality products
from Drillfast.

PRODUCT SPECIFICATIONS

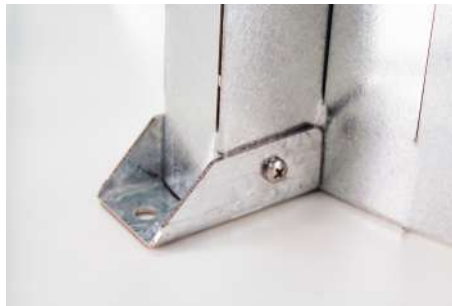
- The HP400R is a metal, retro-fit fire collar for concrete floor slabs.
- For use with 375 mm PVC pipes through floors.
- Test data available, for full details see test report.
- FRL -/120/120 on 200mm thick Concrete Slabs.



FEATURES



Compact design to save space and weight.



Reinforced feet with easy access for fixing.



Unique design with spring pocket for effective results.

DESCRIPTION: Retrofit fire collar 400mm, grey
ITEM CODE: 22RF - HP400R
BOX QTY: 1

All testing is independent. Reports available online.
ISO 9001 Accredited Third party production accreditation by BRE Global.



Assessed to ISO 9001:2015
Cert ref. 1457